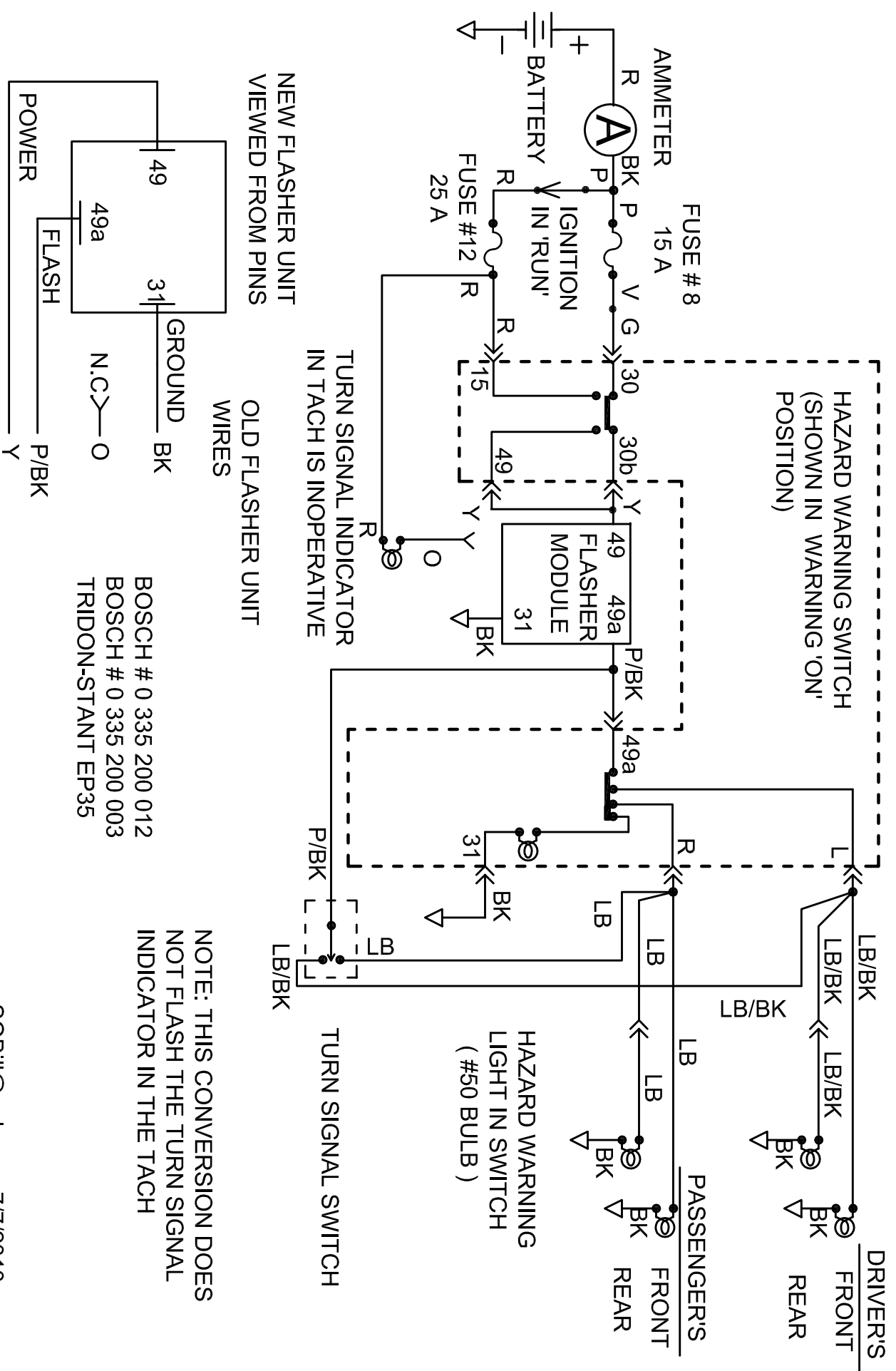


TURN SIGNALS



NEW FLASHER UNIT  
VIEWED FROM PINS

OLD FLASHER UNIT  
WIRES

BOSCH # 0 335 200 012  
BOSCH # 0 335 200 003  
TRIDON-STANT EP35

NOTE: THIS CONVERSION DOES  
NOT FLASH THE TURN SIGNAL  
INDICATOR IN THE TACH

# TURN SIGNAL FLASHER CONVERSION #1 (VERY EARLY)

SOBill@aol.com 7/7/2010