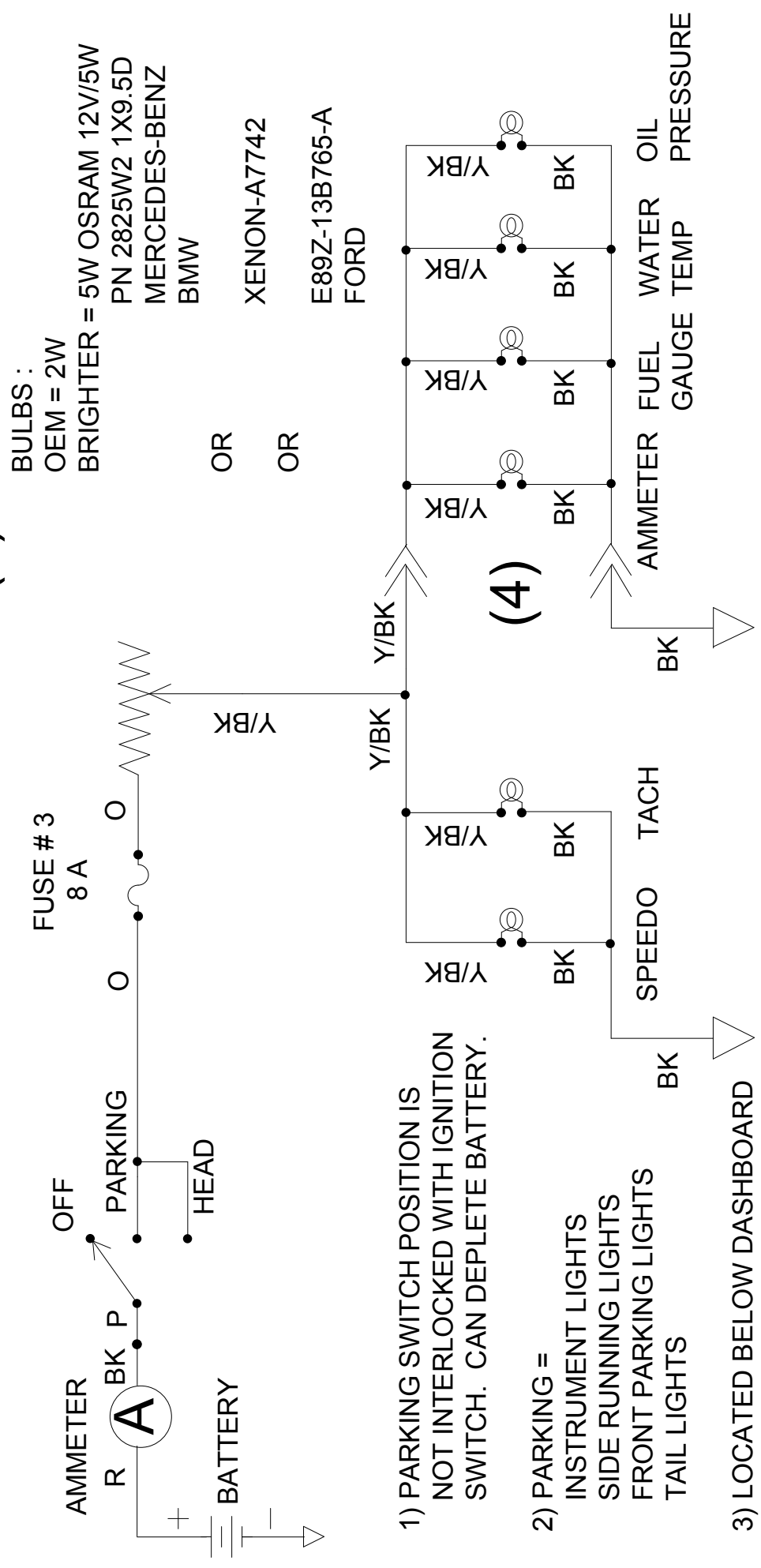


INSTRUMENT LIGHTING DIMMER (3)

LIGHTING SWITCH (1) (2)



- 1) PARKING SWITCH POSITION IS NOT INTERLOCKED WITH IGNITION SWITCH. CAN DEplete BATTERY.
- 2) PARKING = INSTRUMENT LIGHTS SIDE RUNNING LIGHTS FRONT PARKING LIGHTS TAIL LIGHTS
- 3) LOCATED BELOW DASHBOARD NEAR DRIVER'S LEFT KNEE
- 4) CONSOLE LIGHTS ARE POWERED AND GROUNDED THROUGH A CONNECTOR.

SOBill@aol.com 3/25/01

INSTRUMENT LIGHTING