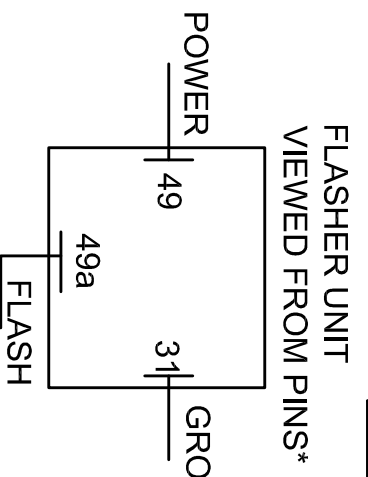
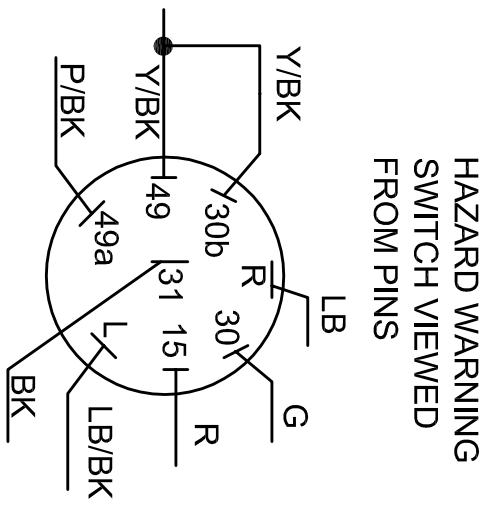
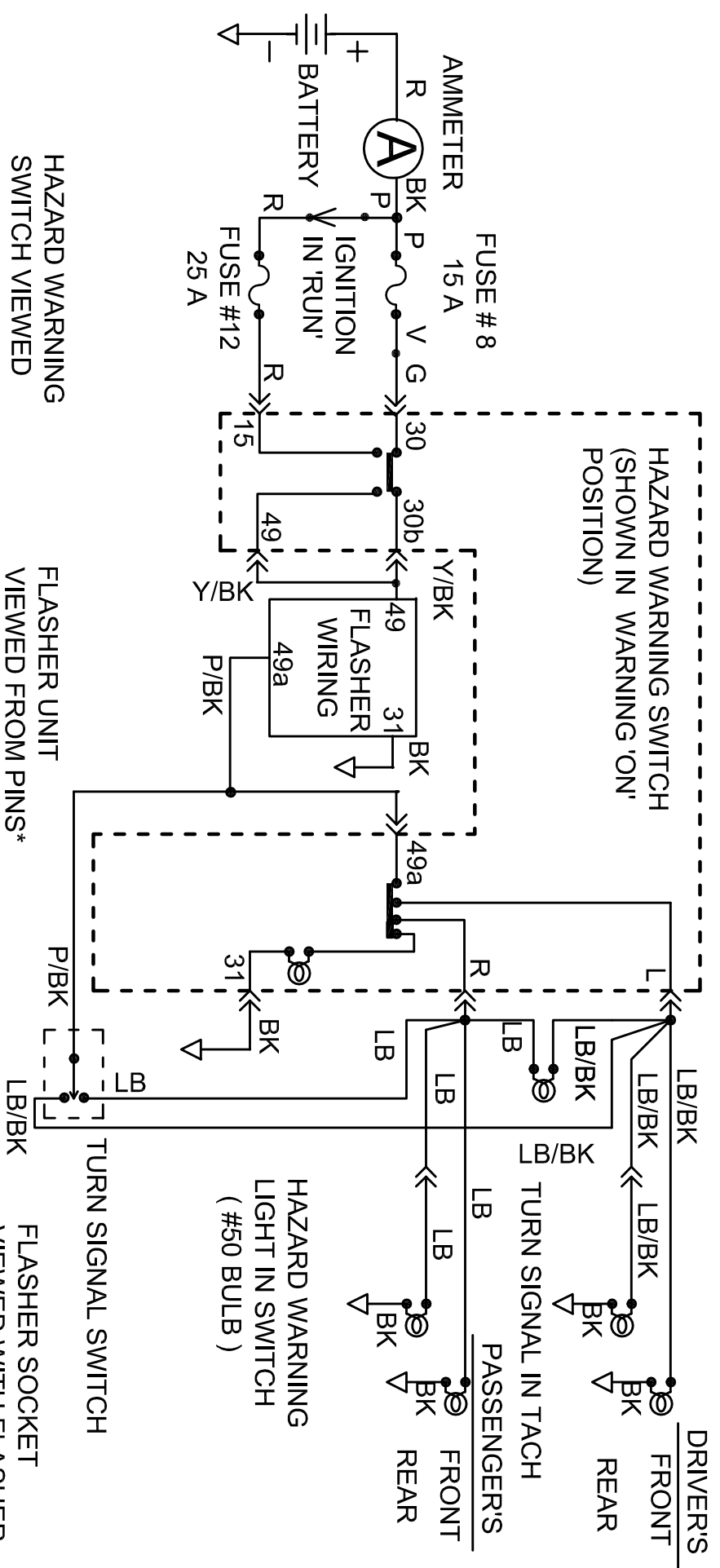
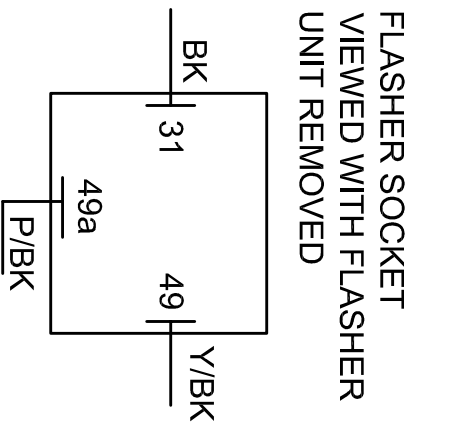


TURN SIGNALS



\* LOCATED IN DRIVER SIDE FOOT WELL

BOSCH # 0 335 200 012  
 BOSCH # 0 335 200 003  
 TRIDON-STANT EP35



**TURN SIGNALS/ HAZARD WARNINGS (EARLY)**

SOBIII@aol.com 3-28-2010